

# Fetal Head Extractor for Obstetric Model

LM-066

## Instruction Manual

Thank you for purchasing the LM-066 Fetal Head Extractor for Obstetric Model. Please read this instruction manual carefully to ensure correct use of the product, and store it in a safe place for easy access.

KOKEN CO., LTD.

1-4-14 Koraku, Bunkyo-ku, Tokyo 112-0004 JAPAN

URL:<http://www.kokenmpc.co.jp>

E-mail:[customer@kokenmpc.co.jp](mailto:customer@kokenmpc.co.jp)



## Handling and Safety Precautions

**These precautions should be strictly observed in order to ensure safe, long-term use of the product.**

**In particular, the following precautions should be carefully observed:**



Ignoring the messages displayed with this icon, and handling the product improperly, may cause bodily injury or property damage.



Make sure the Fetal Head Extractor for Obstetric Models unit does not fall from the table, etc. it is being used on.



Make sure to never release the handle while cranking it partway through a demonstration. Doing so may be dangerous due to reverse rotation.



Do not place hands or fingers near the component screw axis, located beneath the fetus support board's crank, during operation.

- Use glycerin as a lubricant. Do not use powder, as doing so may cause the product to malfunction.
- Do not use a solvent of any kind for this product. Doing so may cause the product to malfunction.
- Do not store or use this product in temperatures of 60° C or higher. Doing so may cause the product to malfunction.

1. The contents of this instruction manual are subject to change without notice.
2. This instruction manual may not be reproduced in part or in its entirety without permission.
3. Please contact the manufacturer in the event that any errors or omissions are found in the contents of this instruction manual.
4. This product should be used only as described in this instruction manual. In particular, the product should not be used in any way that contravenes the precautions noted in the instruction manual.

## Table of Contents

1. Outline and Features
2. Components and Configuration
3. Handling the Model
4. Caring for the Model
5. Specifications

# 1. Outline and Features

## Outline

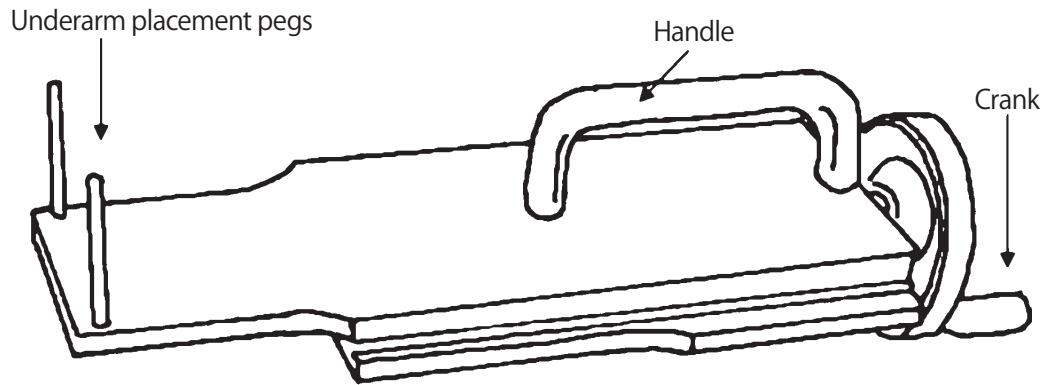
Fetal delivery simulations used to be done by hand, requiring a great deal of physical effort. As the number of conventional simulations increased, users could no longer deliver as intended. This Fetal Head Extractor reduces the fatigue brought on while pushing by hand, eliminates inconsistent operation, and enables the user to simulate stable crowning.

## Features

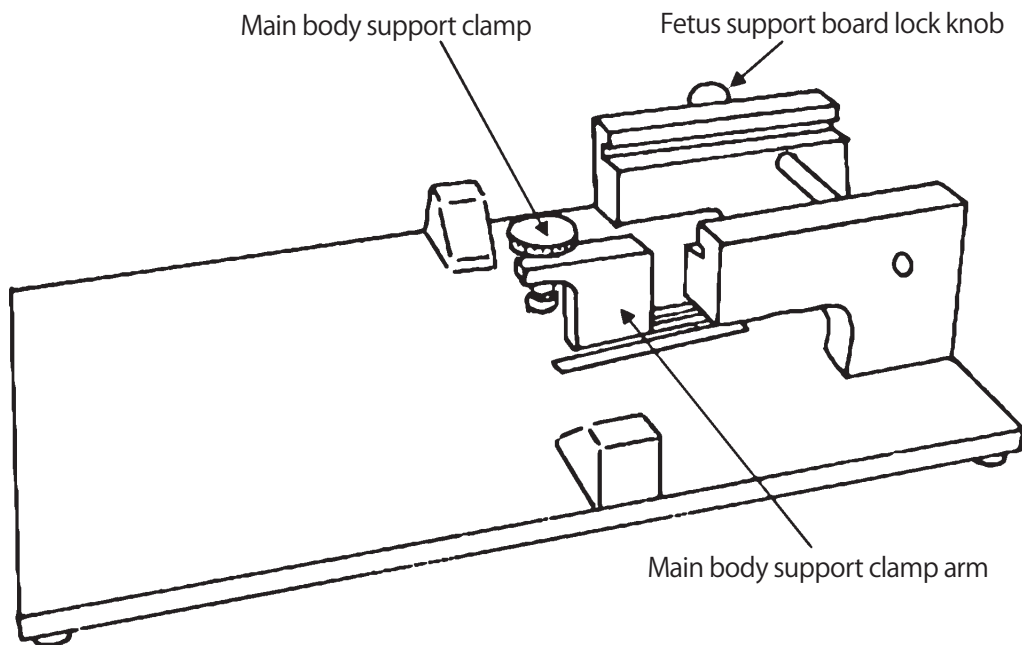
- Enables user to adjust head delivery speed, requiring almost no physical effort.
- Makes crowning easier.
- After the head has emerged, please remove the Fetal Head Extractor and push with hands as usual for the rest of the delivery.

## 2. Components and Configuration

### Fetus support board



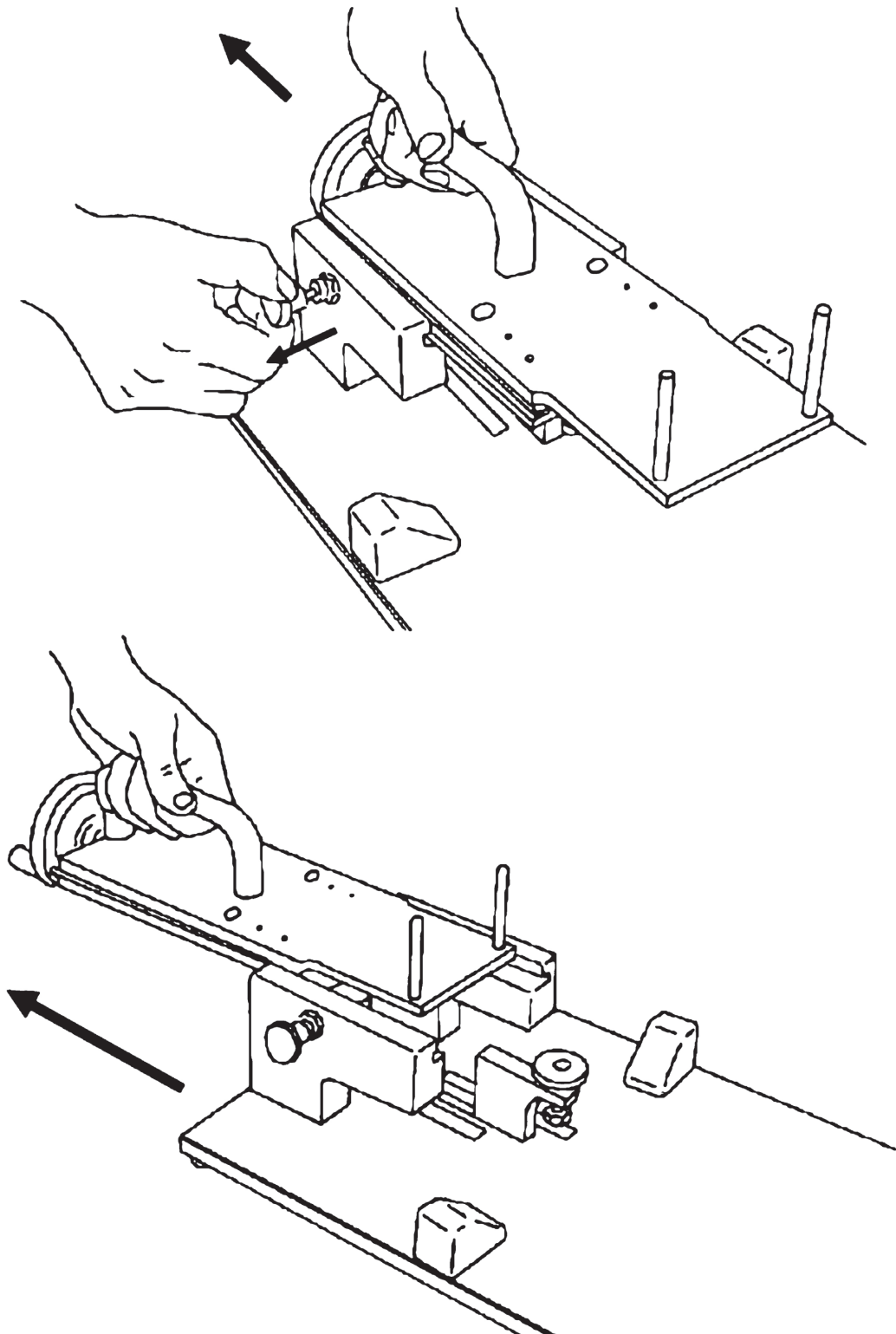
### Obstetric assistant model main body support board



### 3. Handling the Model

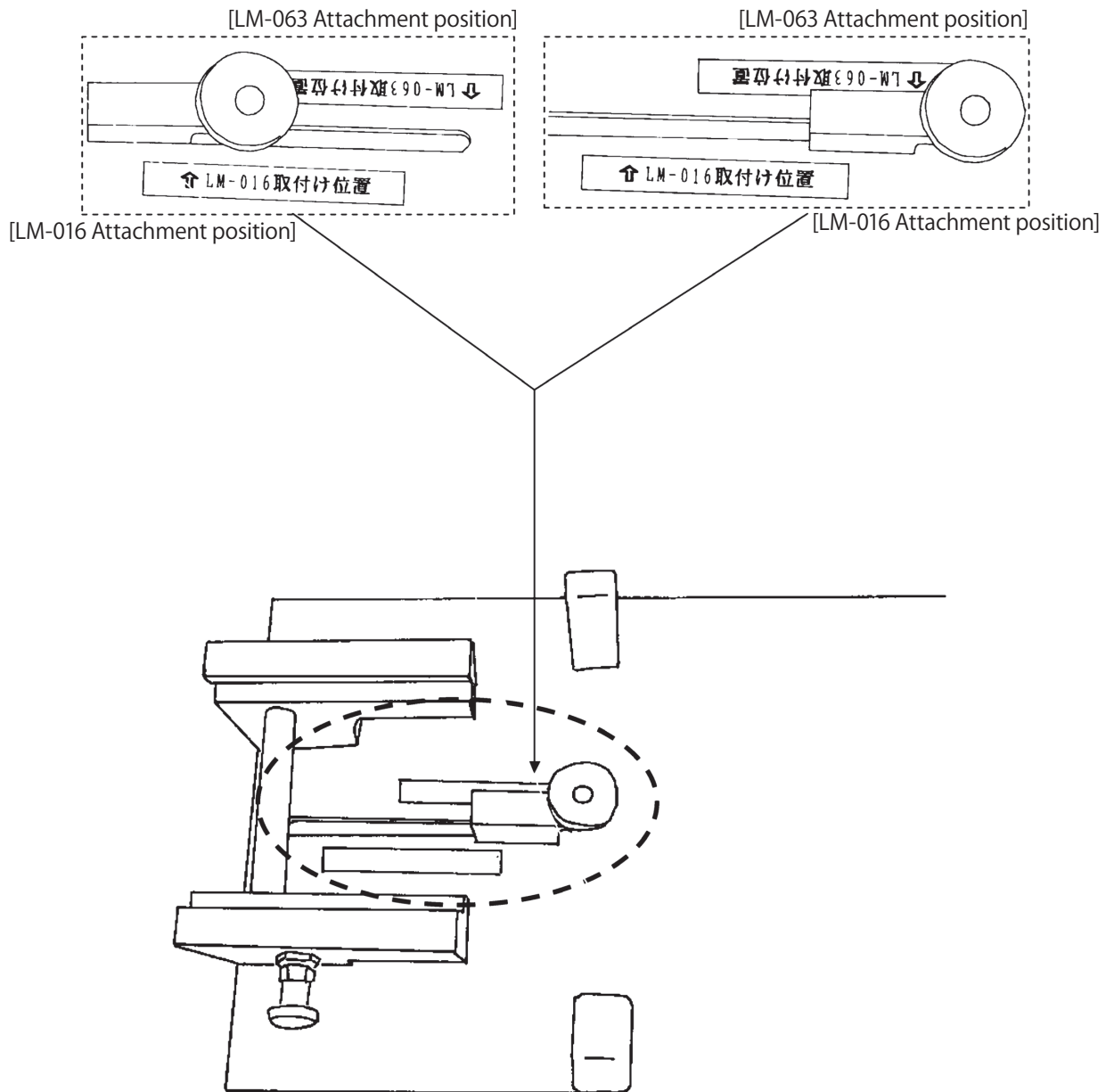
#### 3-1 Remove the fetus support board

Grasp the handle, use your other hand to pull out the lock knob, and then pull the handle towards you to remove the board.

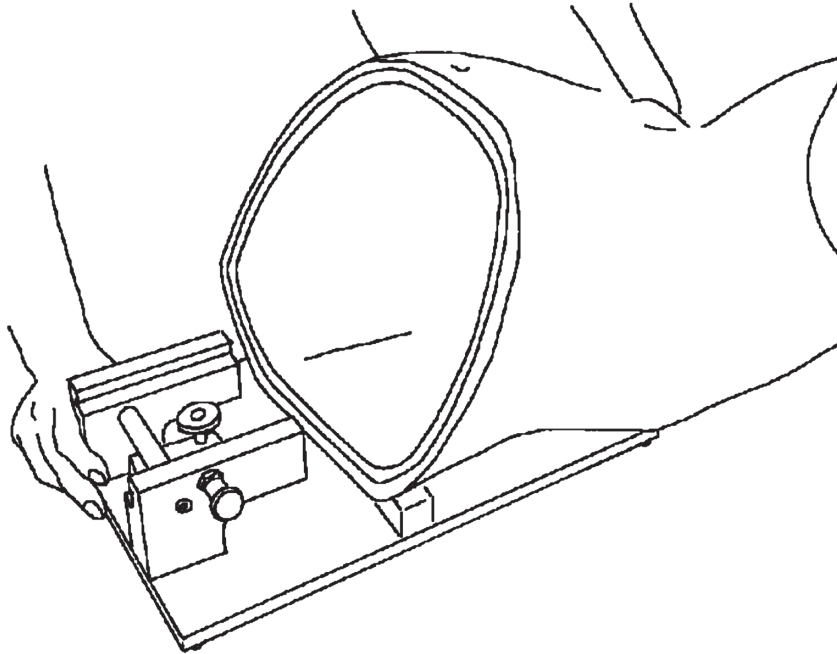


### 3-2 Attach an obstetric assistant model main body

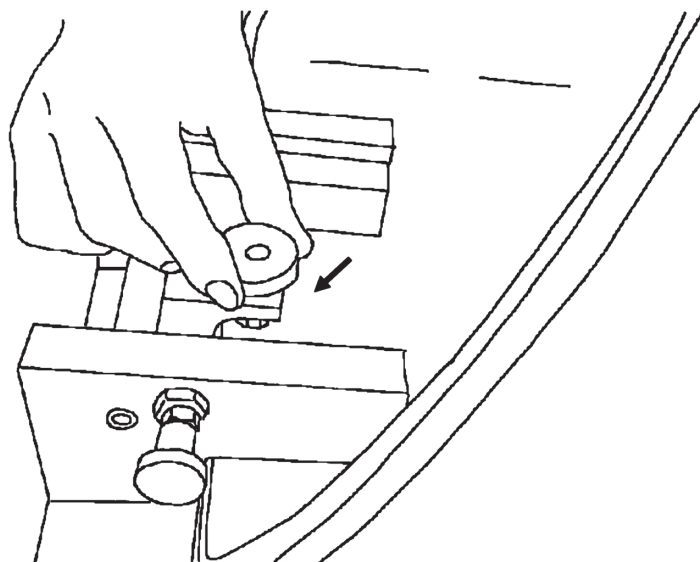
- (1) As illustrated below, **the setting position for the LM-016 obstetric assistant model main body differs from that of the LM-063 obstetric assistant model main body. Adjust the clamp arm accordingly to properly attach the main body type to be used.**  
(The clamp arm of the main body slides easily in both directions.)



- (2) Adjust the clamp arm to the appropriate attachment position, and then set the main body close to the clamp arm.



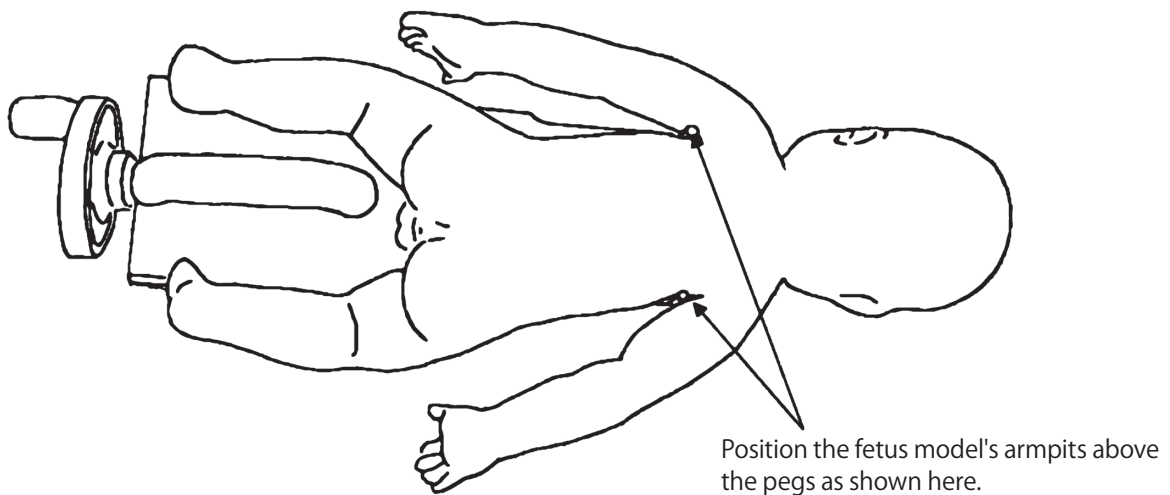
- (3) Tighten the clamp by hand to secure the main body to the board.





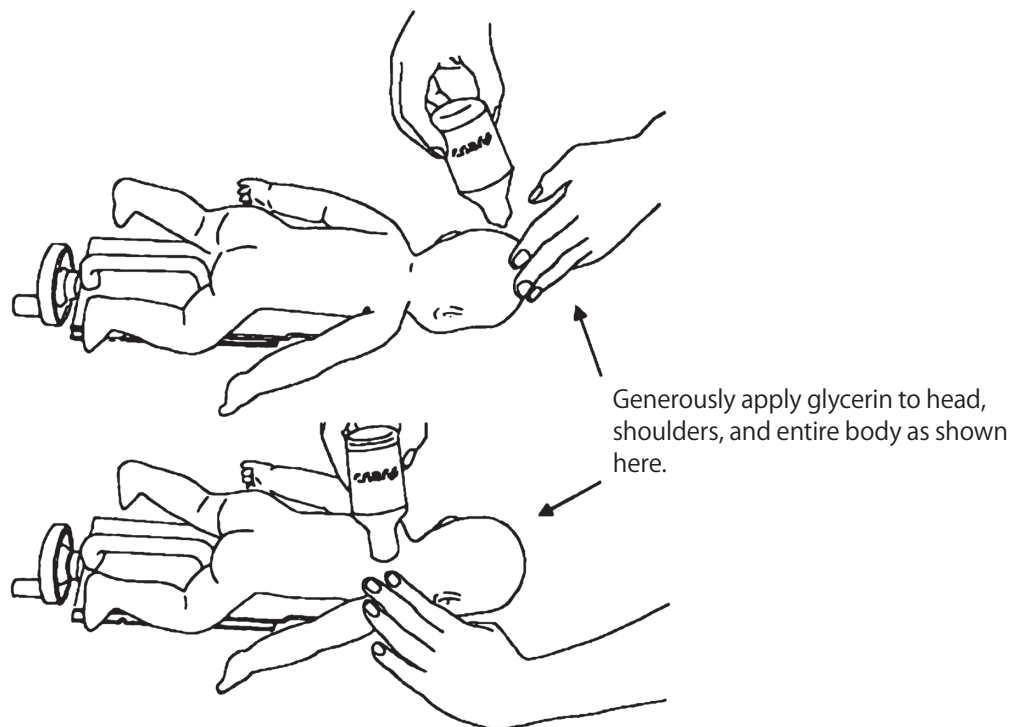
### 3-3 Attaching the fetal model

- (1) Place the fetal model on the fetus support board so that its armpits are resting on the underarm placement pegs.



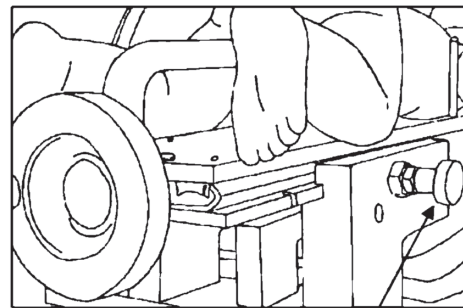
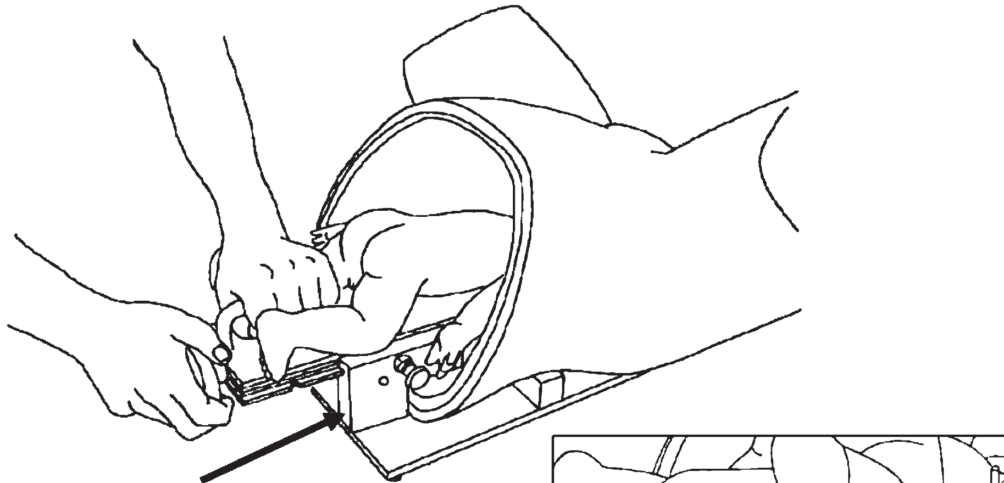
- (2) Apply a generous amount of glycerin by hand to the head, shoulders, and body of the fetal model.

**\*Glycerin acts as a lubricant during the simulated delivery, so an ample amount should be applied to minimize resistance.**

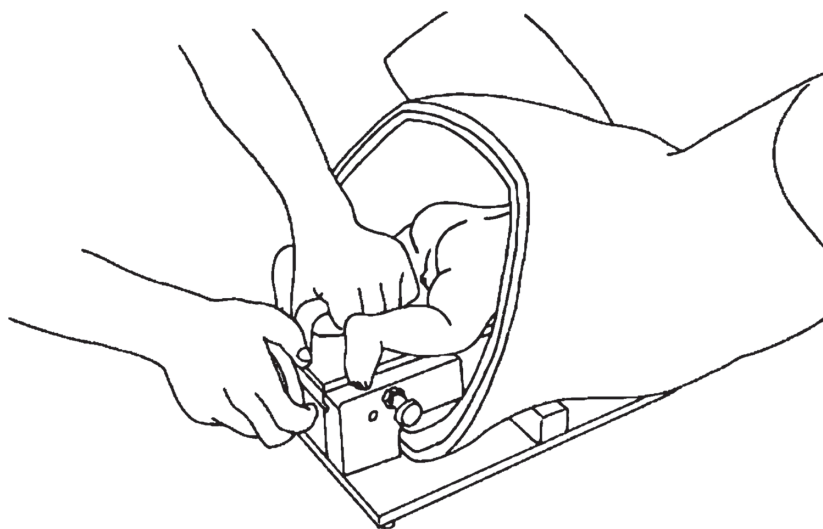


### 3-4 Attach fetus support board to obstetric assistant model main body support board

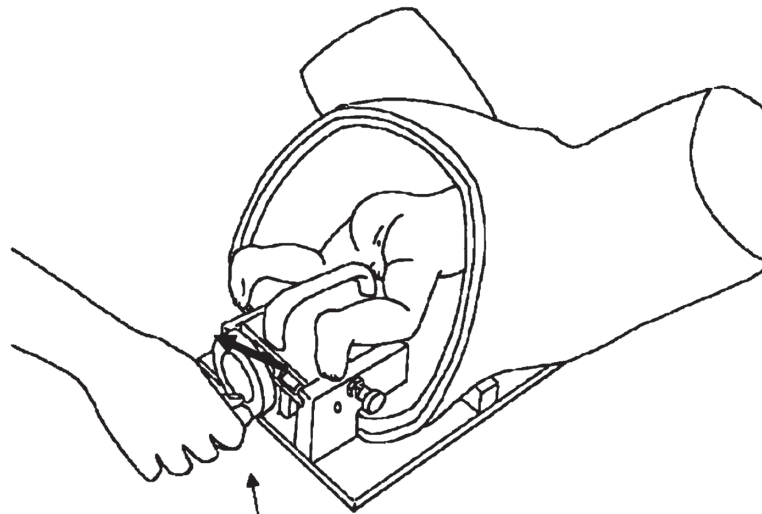
- (1) Align the rails of the support boards of the fetal model and obstetric assistant model so that they fit comfortably together, then hold the handle and crank to slide the fetus support board forward.



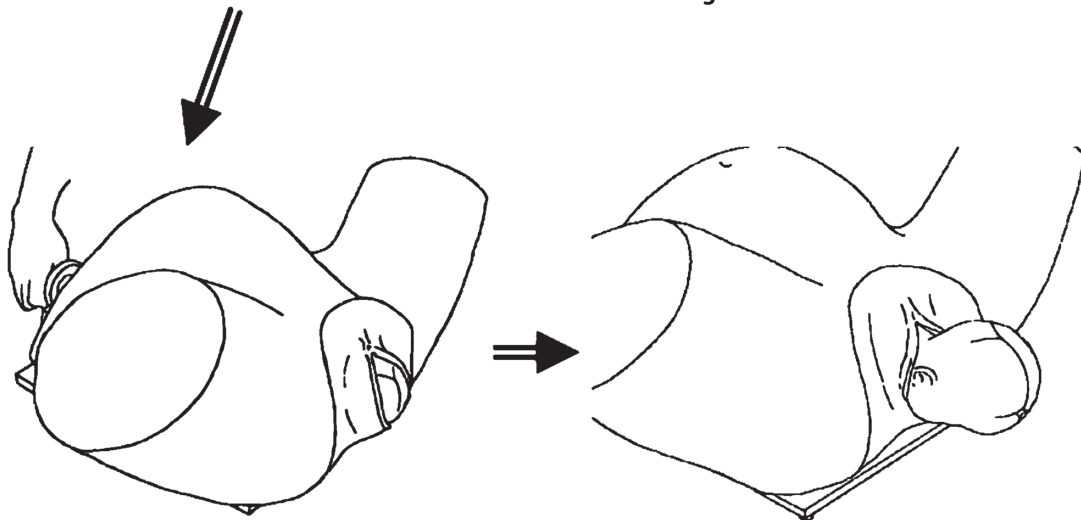
Slide it forward until the lock knob clicks into place.



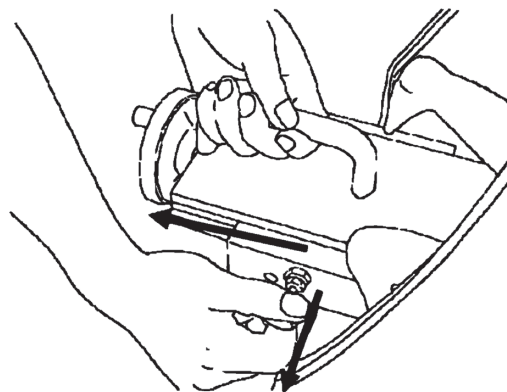
### 3-5 Simulate delivery



Rotate the crank in a counterclockwise direction to simulate crowning.



Once the head emerges as shown above, remove the fetus support board, and use your hands to manually deliver the fetus as done in previous simulations.



To remove the fetus support board, use your right hand to pull out the lock knob, grasp the handle with your left hand, and pull the board out towards you. Only the fetus support board will be pulled out.

## 4. Caring for the Model

If glycerin residue remains on the fetus support board etc. during/after the simulation, dampen some gauze with water and wipe it clean.

Do not wash the Fetal Head Extractor with water.

\* For proper care of the main bodies of fetal model and obstetric assistant model, refer to their respective instruction manuals.

## 5. Specifications

Length	Width	Height	Weight	Material
Approx. 48 cm	Approx. 26 cm	Approx. 16 cm	Approx. 2.8 kg	Rigid plastic (ABS)